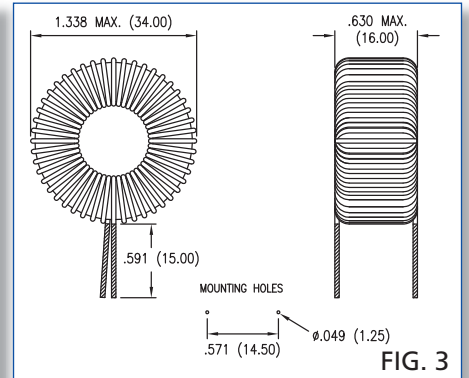
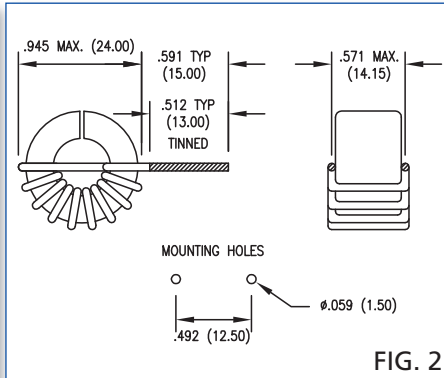
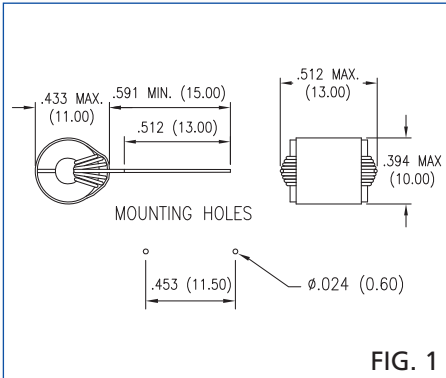
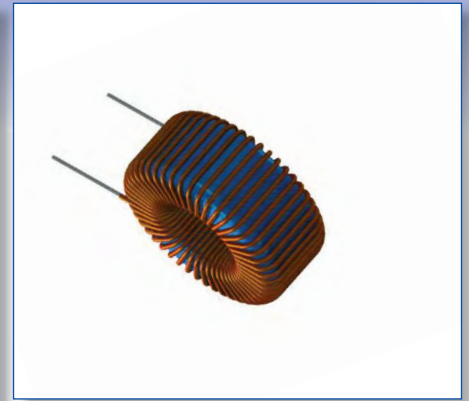


CLASS-D POWER INDUCTOR

Dimensions in inches (mm)



How to order code

555 - 88XX - XX - 00 - 00

Basic Part No. Inductance Code

Fig.	Basic Part No.	Inductance Typical	I rated (A)	Test Frequency (KHz)	Saturation Current I _{sat} (A)			DCR Max. (mΩ)
					at -40°C	at +25°C	at +125°C	
1	-10	10.0μH	3.5	100	8.00	6.00	5.00	70.0
	555-8810 -20	20.0μH	3	100	7.50	6.50	4.50	100
	-30	30.0μH	1	100	5.00	4.00	3.25	130
2	-10	10.0μH	8	100	9.50	8.50	7.50	10.0
	555-8820 -20	20.0μH	7	100	8.00	7.50	6.50	15.0
	-30	30.0μH	5	100	6.00	5.25	4.50	25.0
3	-10	10.0μH	9.5	100	37.5	37.0	32.0	35.0
	555-8830 -20	20.0μH	9	100	37.0	36.0	30.0	45.0
	-30	30.0μH	7	100	27.0	25.0	23.0	55.0

Devices are RoHS compliant
 Inductance at I_{rated} is a typical inductance value measured when the inductor is subjected to the rated current
 Designed to match Zetex ZXCD series Class-D audio solutions